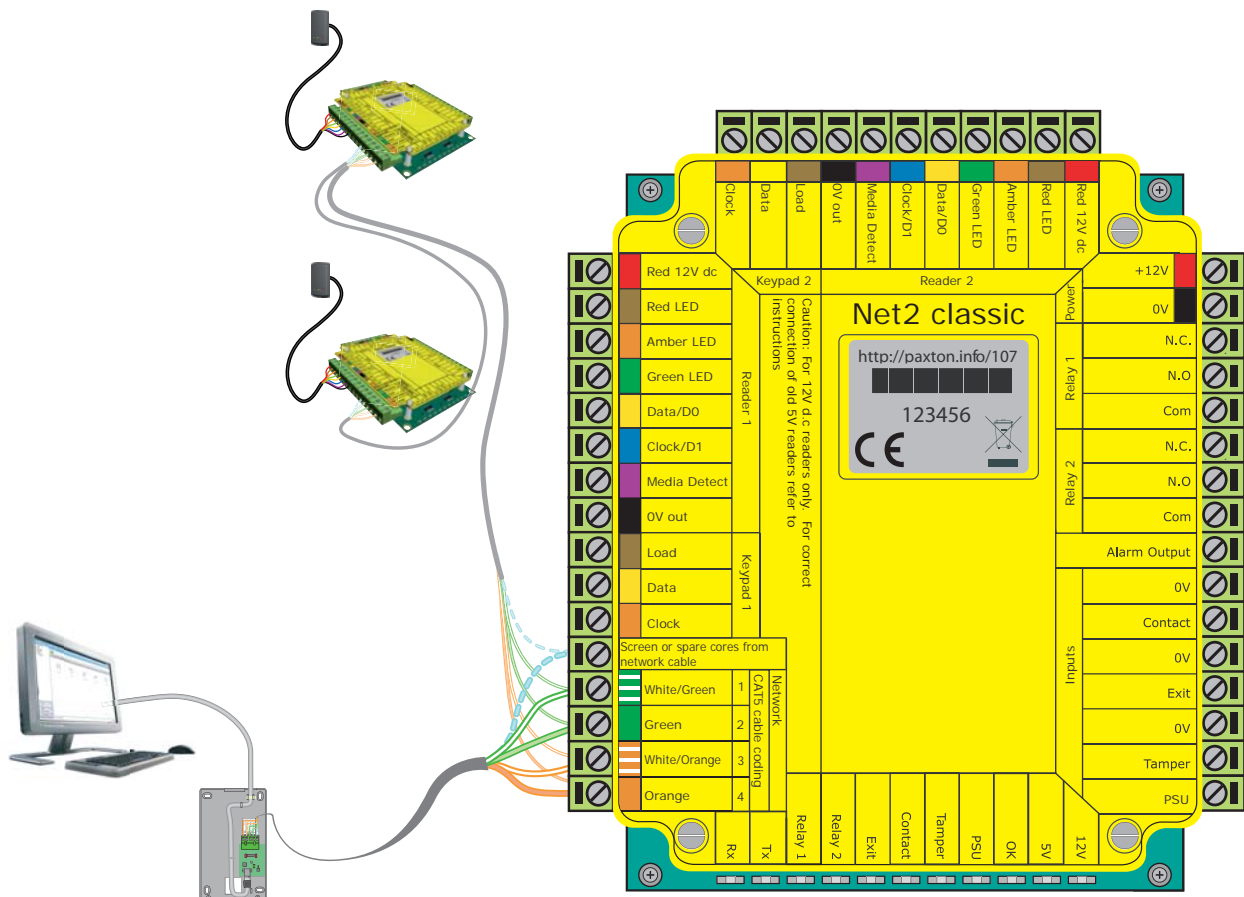


Net2 classic



An access control unit for use with a dedicated Net2 network



What is it?

Net2 is a PC based security system for controlling access through doors. Net2 allows users to be given access to particular areas at certain times. Because the system is networked, all administration can be done from a central point.

Net2 classic is one of a range of three Net2 control units. It is a single door access control unit and can be networked to others.

The Net2 classic control units are connected using a dedicated 'daisy chain' RS485 network. They communicate with the

server PC via a USB or serial communications converter or across a computer network using a Net2 plus control unit or an Ethernet interface. The server PC can be connected at any point along the RS485 data line.

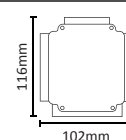
As with all Net2 control units, Net2 classic is designed to work seamlessly in the event of communications failure. It will continue to permit or deny access to users as appropriate. Once communications are re-established the activity is reported back to the PC.

Specifications

| Features | |
|--|---|
| Total users | 10,000 |
| Total doors | Max 500 Max 200 per RS485 data line |
| Doors per Access Control Unit (ACU) | 1 |
| Number of tokens | 10,000 |
| Number of PIN's | 10,000 |
| PIN length | 4 |
| Number of codes | 50 |
| Code length | 4 - 8 |
| Number of time zones | 64 |
| Number of time slots | 2,000 |
| Number of access levels | 250 |
| Stored events per ACU | 2,454 |
| Data retention during a total power loss | 1 day |
| Hands free compatible | Yes - requires interface |
| 3rd party readers | Yes - If compatible |
| Clock and data | Yes |
| 26 bit Wiegand | Yes |
| Custom Wiegand | Yes |
| Door open time | Min 1 sec - Max 999,999 sec |
| Reader ports per ACU | 2 |
| Readers/Keypads per ACU | 4 - check current draw on individual readers |
| Total ACU reader port output current | 500 mA |
| Documentation | |
| More information | http://paxton.info/115 |
| Installation instructions | http://paxton.info/48 |
| Specifications | http://paxton.info/47 |

| Communication | |
|--|---|
| RS485 | Max 200 ACU's per data line, requires an RS232 to RS485 converter |
| TCP/IP Ethernet | Data line requires a TCP/IP to RS485 converter |
| TCP/IP nodes | Max 100 |
| Hardware | |
| Supply voltage | Min 11V DC - Max 15V DC |
| Supply current | 200 mA |
| Relay switchable voltage | 24V DC |
| Relay switchable current | 4 A |
| Alarm output current | 1 A |
| Operating temperature - battery limits | Min 0°C - Max +55°C |
| Waterproof | No - If used externally, it must be protected in a weatherproof housing |
| Reader cable type | Belden 9540 |
| Network cable type | CAT5 or Belden 8723 |
| Other hardware features | |
| Volt free control relay | |
| Input for tamper | |
| Input for exit button | |
| Input for PSU fail | |
| Input for door contact | |
| Alarm output | |

Net2 classic 1 door access control unit

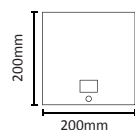


Sales code 489-334

More information <http://paxton.info/115>



Net2 classic in plastic housing

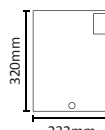


Sales code 385-527

More information <http://paxton.info/115>



Net2 classic with 2A PSU in plastic cabinet

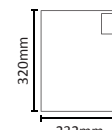


Sales code 411-501

More information <http://paxton.info/115>



Net2 classic with 2A PSU in metal cabinet



Sales code 411-381

More information <http://paxton.info/115>

