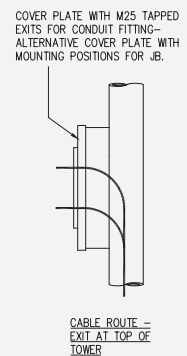
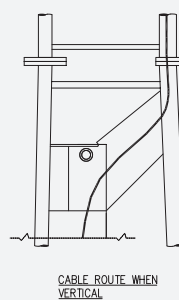
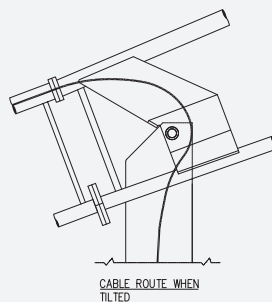
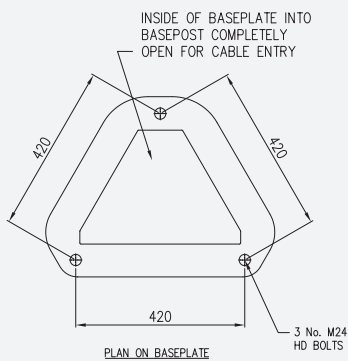
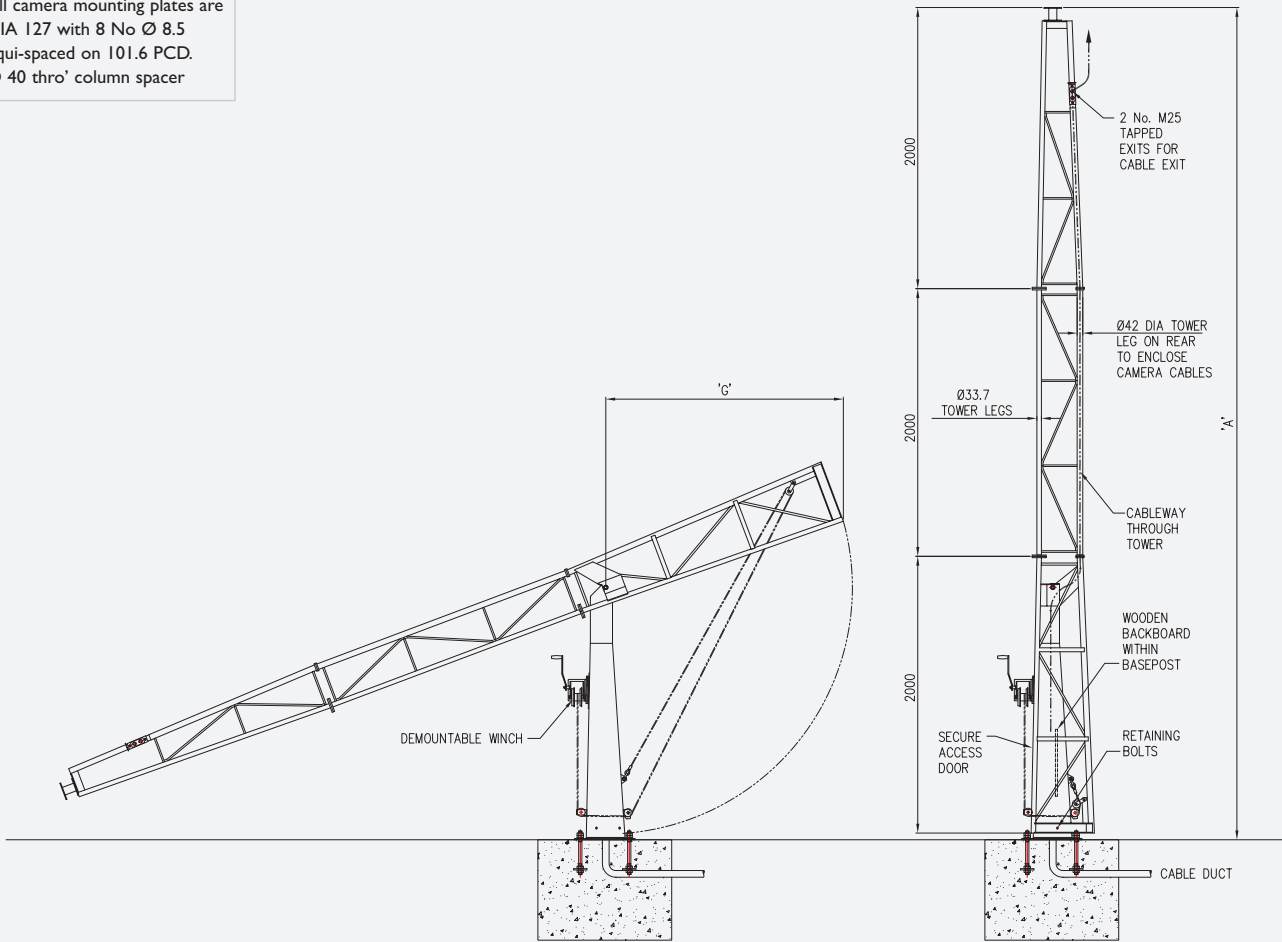


ANCT

All camera mounting plates are DIA 127 with 8 No Ø 8.5 equi-spaced on 101.6 PCD. Ø 40 thro' column spacer



Model No.	Height in metres	Payload eqpt capacity *	Max eqpt windload m ²	Tower rear clearance G	Cabinet door size H x W	Holding down bolt size	Winch part number
ANCT 4	4	50kgs	0.5m ²	2000	600x165	M24x300	DW1000/ANCT
ANCT6	6	50kgs	0.4m ²	2000	600x165	M24x300	DW1000/ANCT
ANCT 8	8	30kgs	0.25m ²	2000	600x165	M24x300	DW1500/ANCT
ANCT 10	10	25kgs	0.2m ²	2000	600x165	M24x300	DW1500/ANCT

*Where payloads are greater than those stated above, please contact Altron